

AIR PREPARATION UNITS

FRCLM MODULAR series

Kushako

Filter Regulator Combination details :

Features :

- Modular type for easy and fast maintenance.
- Suitable for wall mounting.
- Filter
 - Bronze / Plastic sintered element
 - Separator and shield for efficient moisture separation.
 - Press type Manual drain for easy operation .
- Regulator - Diaphragm operated, relieving type .
 - Pressure compensated by balanced poppet .
 - Non raising 'Press to lock' adjusting knob for locking at any set pressure.
- Lubricator - Fog / Mist type Lubricator
 - Fine adjustment of Lubrication
 - Lubrication Proportional flow
- Good flow and regulating characteristics.

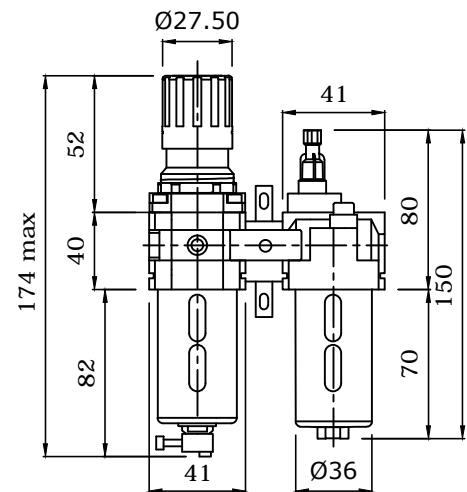


Precautions :

- Note the direction of flow before installation and connect piping accordingly.
- Install in clean atmosphere.
- Polycarbonate bowls may get damaged and possibly fail if exposed to synthetic oils, thinner, solvents trichloroethylene, Kerosene or other hydrocarbons.

Technical specification

Model	FRCLM-2014
Medium	Compressed air - Filtered
Port Size	1/4 BSP (F)
Pressure gauge port size	1/8 BSP (F)
Flow rate (Ltr / Min)	500
Maximum supply pressure (bar)	10
Regulating pressure range (bar)	0.2-2, 0.2-4,0.5-7, (0.5 - 10) (Standard)
Ambient / Medium temperature	5° - 60° C
Filtration (μm)	1, 5, 25 & 40 Micron ,100 option
Minimum operating flow , Ltr / Min	12
Bowl capacity Filter (ml)	40
Recommended Oil	ISO VG 32
Bowl material	Polycarbonate
Installation	Vertical
Materials of construction	Aluminium, Brass, Steel, SS, NTR/PC
Optional accessories	Clamp, Modular mounting kit, Gauge
Weight (kg)	0.530



- Supply pressure 6 bar , pressure drop $p = 0.5$ bar (for standard models)

Manufactured by :

Kushako India

Office : 490, Narayan Peth, Opp. Pune Marathi Granthalaya, Pune - 411030. (Maharashtra), Website : www.kushakoindia.com

Works : Sr.No. 25/1A, Village Nanded, Sinhgad Road, Tal - Haveli, Dist. Pune -411041

Tel. No : 901169077 / 7620674777

E-mail : kushako.india@gmail.com / kushakoindia1992@gmail.com

Kushako